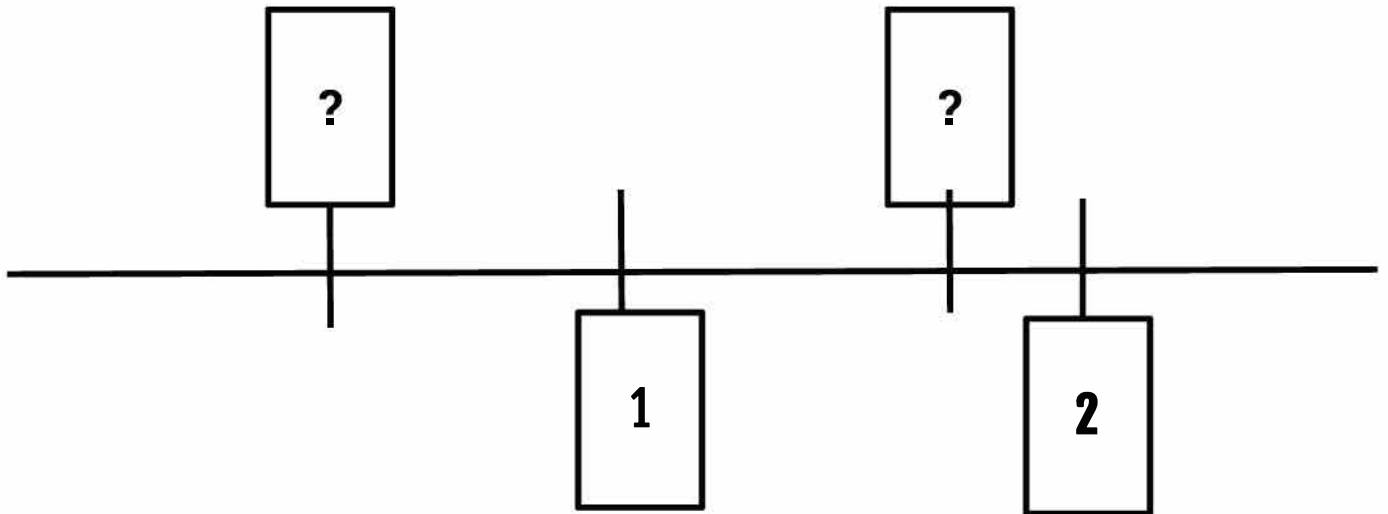


Name: \_\_\_\_\_

## Exit Task Learning Experience 4

Write a fraction for the two “?” on the number line below. Explaining your thinking using your connections to benchmark fractions.

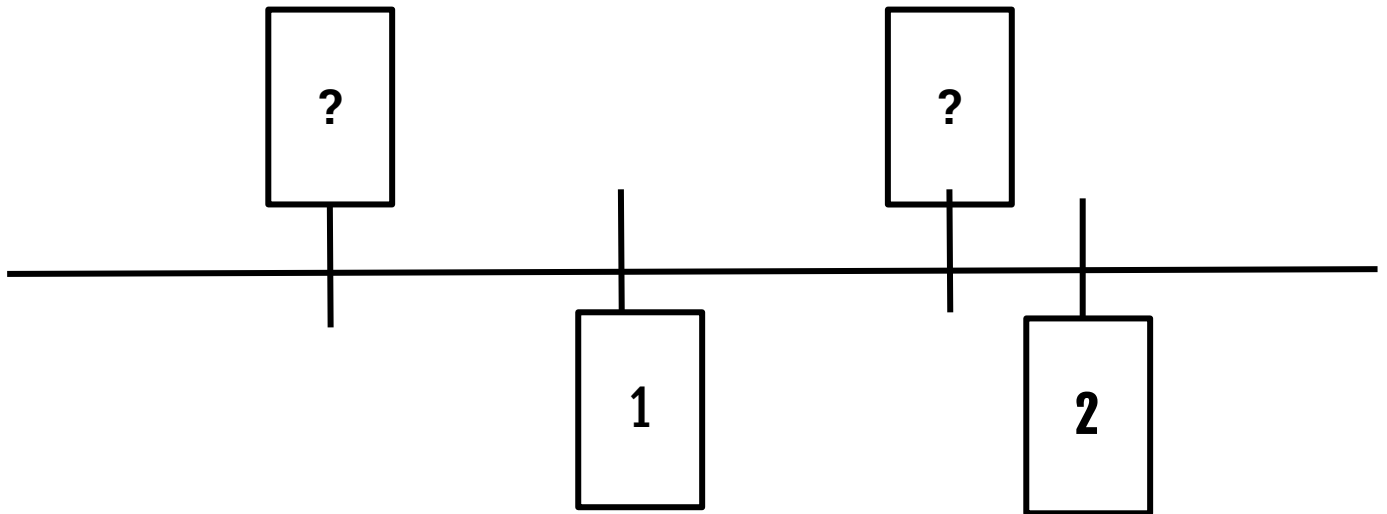


Explain your thinking.

Name: \_\_\_\_\_

## Exit Task Learning Experience 4

Write a fraction for the two “?” on the number line below. Explain your thinking using your connections to benchmark fractions.



Explain your thinking.